

Control (AMP1, AMP2, AMP3)
AMP 14 pin
Mouser 571-206043-1

- 1- GND
- 2- L1 Switched
- 3- GND
- 4- Ip Reset
- 5- LV Control
- 6- PWR Pushbutton
- 7- NEUTRAL
- 8- Spare
- 9- HV Meter
- 10-IN/OUT Pushbutton
- 11-Standby LED
- 12-GND
- 13-B-
- 14-GND

P101/J201 - CHASSIS CONTROL
12Pin mini MATE-N-LOC
Mouser 571-1-794066-0 (J201)
Mouser 571-7705811 (P101)

- 1- L1 Switched
- 2- NEUTRAL
- 3- AC Relay Control
- 4- HV/LV Select
- 5- HV Meter
- 6- B-
- 7- Ip Sense
- 8- 12 VAC
- 9- 12 VAC
- 10- NC/SPARE
- 11- +12
- 12-GND

P102/J202 - STATUS LEDs
Molex .100 w/lock 8 pin
Mouser 538-22-01-2087
Mouser 538-22-03-2081

- 1-Amp1 PWR
- 2-Amp1 HV
- 3-Amp2 PWR
- 4-Amp2 HV
- 5-Amp3 PWR
- 6-Amp3 HV
- 7-STANDBY
- 8-+12

P203/J203, P204/J204, P205/J205 CONTROL
12Pin mini MATE-N-LOC
Mouser 571-1-794066-0
Mouser 571-7705811

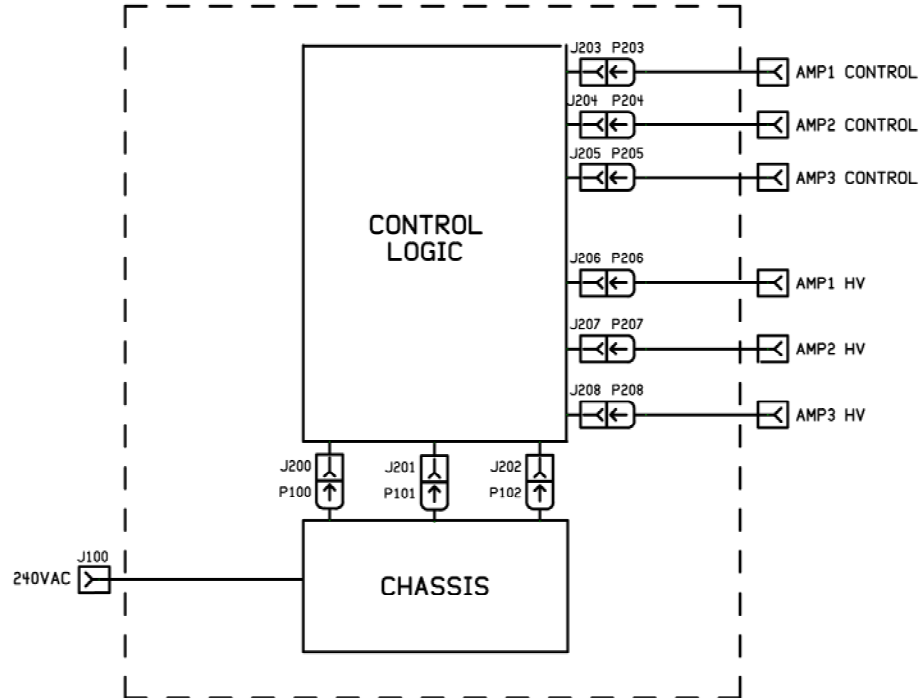
- 1- GND
- 2- L1 Switched
- 3- GND
- 4- Ip Reset
- 5- LV Control
- 6- PWR Pushbutton
- 7- NEUTRAL
- 8- Spare
- 9- HV Meter
- 10-IN/OUT Pushbutton
- 11-Standby LED
- 12-B-

HV (AMP1, AMP2, AMP3)
KINGS High Voltage BNC 1 pin+GND

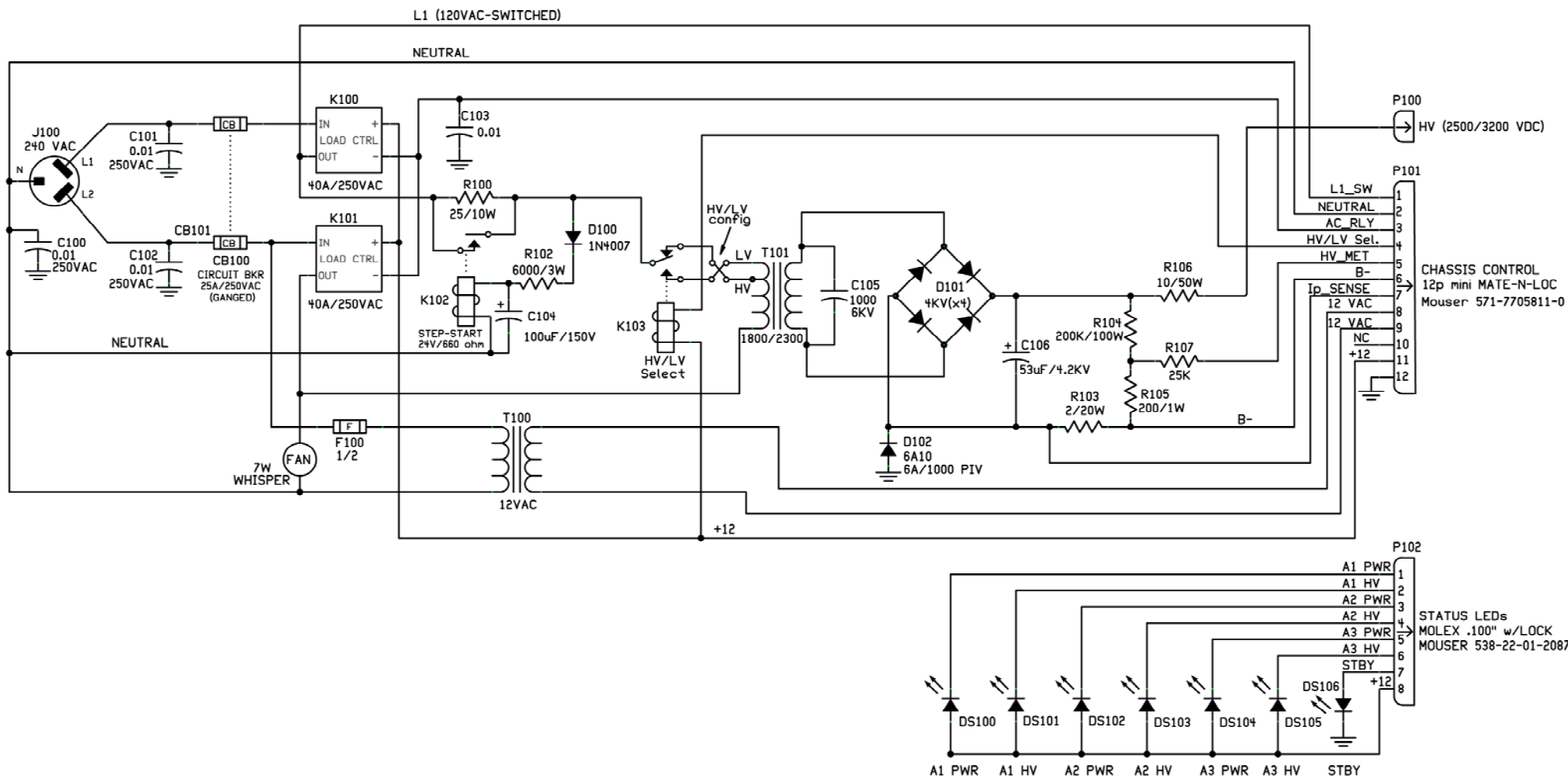
P100/J200 HV
HV Cable w/spade lug (custom) 1 pin

P206/J206, P207/J207, P208/J208 HV
HV Cable w/spade lug (custom) 1 pin

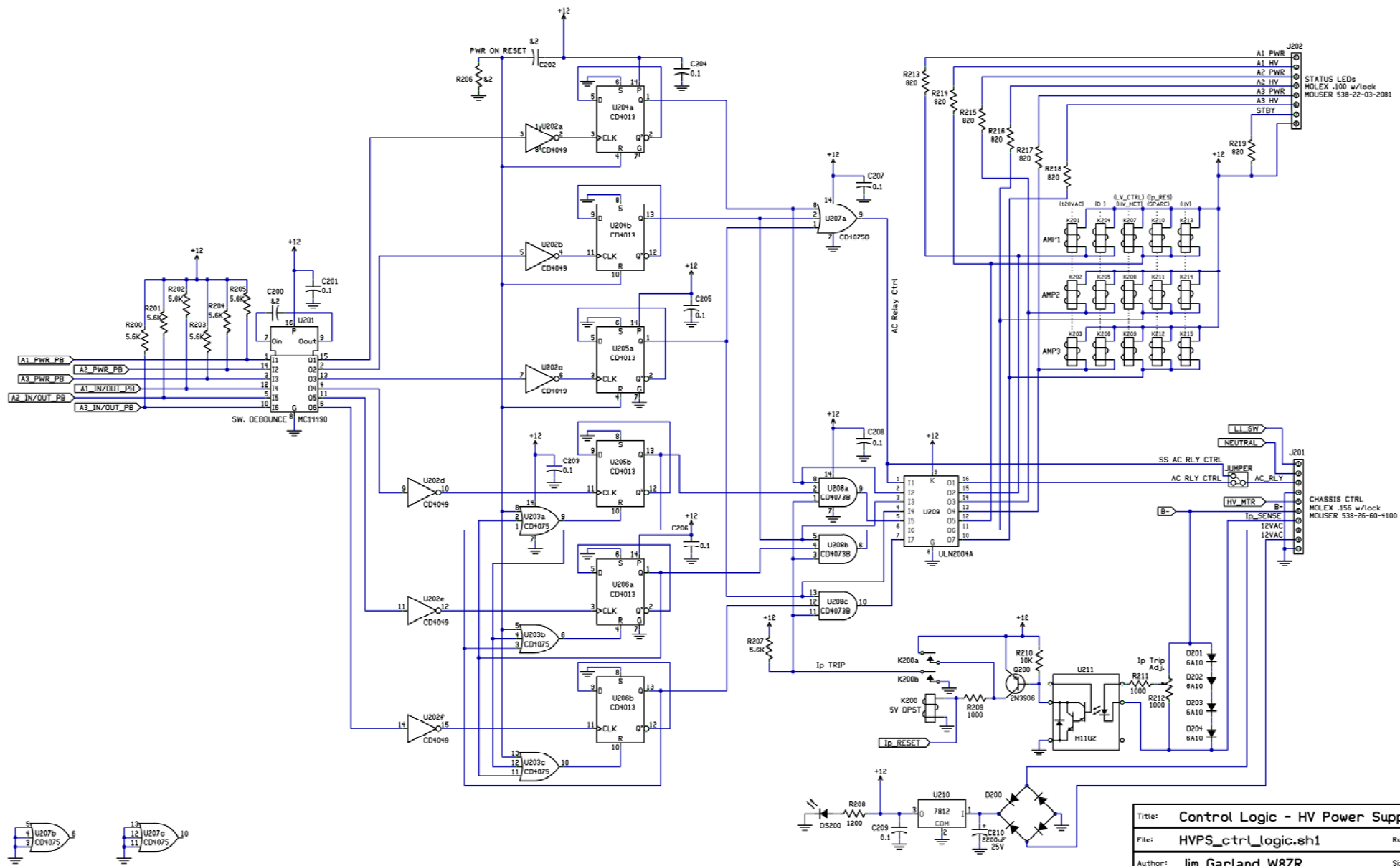
INTERCONNECTIONS HIGH VOLTAGE POWER SUPPLY



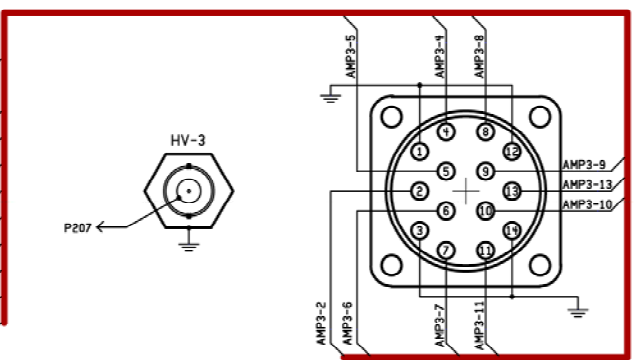
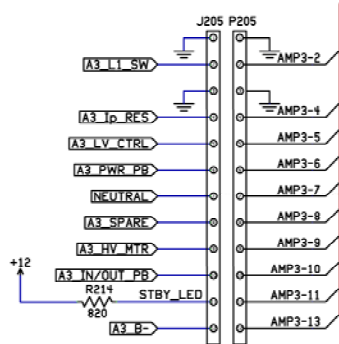
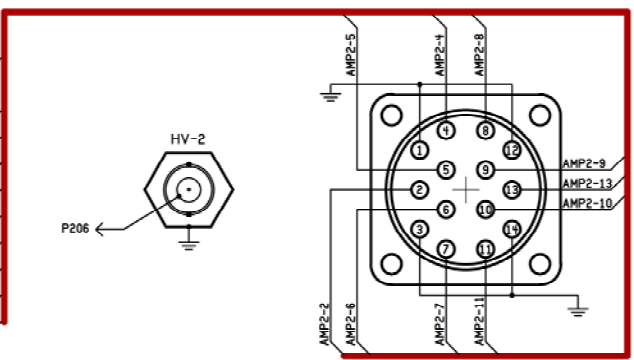
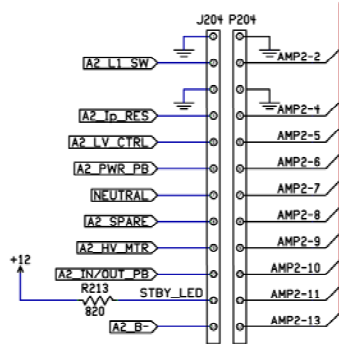
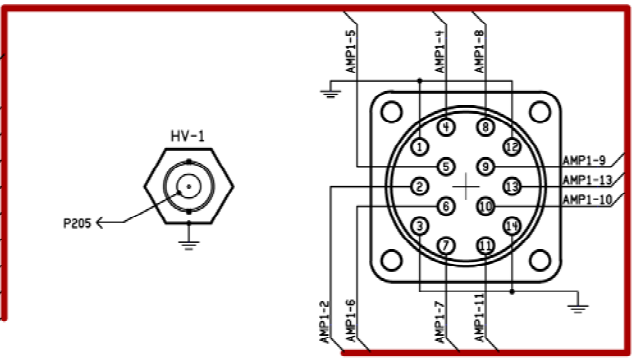
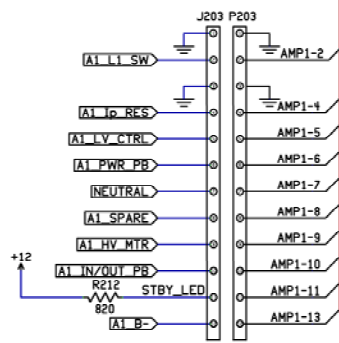
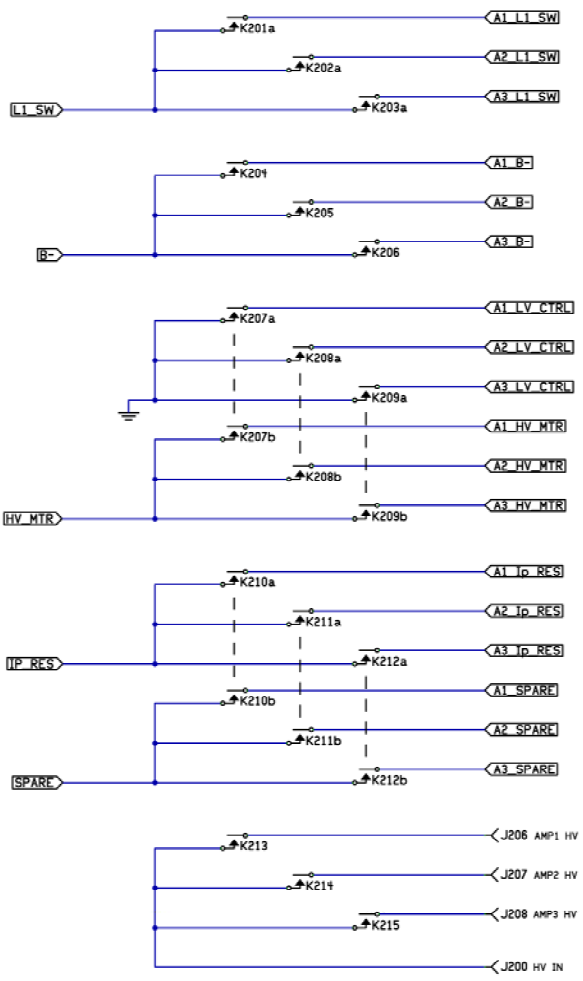
Title: Block Diagram - HV Power Supply	
File: HVpwrsupply.sch	Revision: A
Author: Jim Garland W8ZR	Size: B
Date: 7-16-2011	Sheet 1 of 1



Title:	AC Primary - HV Power Supply	
File:	HVPS_AC_Primary.sch	Revision: A
Author:	Jim Garland W8ZR	Size: A
Date:	7/16/2011	Sheet 1 of 1



Title: Control Logic - HV Power Supply		
File: HVPS_ctr_logic.sh1	Revision: A	
Author: Jim Garland W8ZR	Size: B	
Date: 12-26-2010	Sheet 1 of 1	



Title:	HV Power Supply Relay Switching	
File:	HVPS_ctrL_logic.sh2	Revision: A
Author:	Jim Garland W8ZR	Size: B
Date:	12-26-2010	Sheet 1 of 1